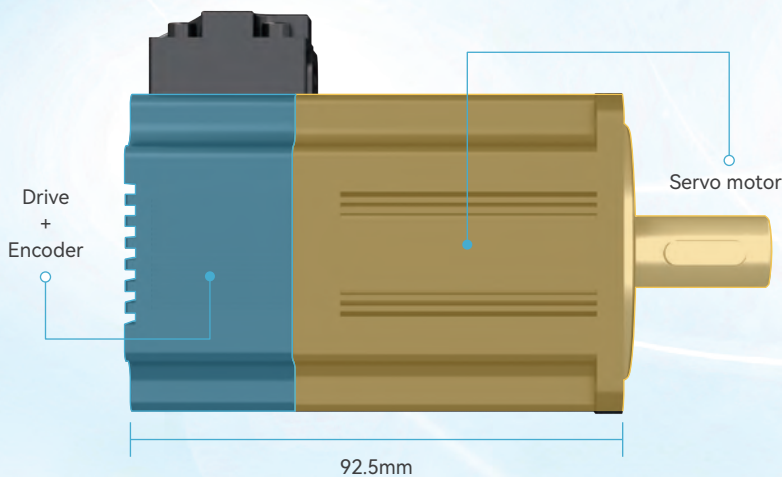


## RB300 Series Integrated Servo Drive & Motor

Control & Drive | Small Size | Easy Operation



The RB300 series products are designed with an integrated approach, combining low-voltage synchronous motors, encoders, and servo drives into a single unit. This innovative design is powered by an internationally recognized algorithm, offering a comprehensive suite of features that ensure high performance, precision, and rapid response. The compact design not only streamlines the system but also minimizes the wiring faults between the motor and the drive, resulting in cost savings on cables and reduced labor for installation.



### Basic Function:

- 3×DI with optically coupled isolator, 1×DO with optically coupled isolator
- Various communication modes: Modbus, CANopen, EtherCAT, Profinet, etc.
- DC 24V external power supply for brake release
- Standard with 17bit magnetic encoder
- Interactive indicators for all types of information

### Naming Rules:

**RB300 - L 06 G - R40 30 - Q 1 K - C A -YK**

①      ② ③ ④      ⑤      ⑥      ⑦ ⑧ ⑨      ⑩ ⑪

① <b>Product Series</b> RB300 Series	② <b>Inertia Level</b> C: Extra low L: Low M: Medium H: High	③ <b>Flange Size</b> 06: 60mm	④ <b>Voltage Level</b> E:DC 24V G:DC 48V
⑤ <b>Rated Power</b> R40:400w 1R0:1000w	⑥ <b>Rated Speed</b> 30:3000rpm	⑦ <b>Encoder Type</b> Q: 17-bit single-turn absolute encoder	⑧ <b>Brake, Key and Oil Seal Combination</b>
⑨ <b>Outlet</b> K:0.2m cable with adapter	⑩ <b>Communication</b> C: CANopen E: EtherCAT	⑪ <b>Encoder Mode</b> A: Absolute	

### Compact design

400w model with 92.5mm body length shorter than a universal motor

### High reliability

Reliable devices and connections standard with IP54

### Easy networking

Top-in-bottom-out mode easy for different communication modes

### Easy operation

Simple wiring of the power supply and communication no more complicated operation required



## Specifications:

Model	Flange	Rated Voltage	Rated Power	Rated Current	Peak Current	Rated Torque	Peak Speed	Rated Speed	Peak Torque	Rotor Inertia
RB300-L06G-R2030-Q1K-CA-YK	60	48	200	5.98	11.96	0.637	1.247	3000	4000	0.091
RB300-L06G-R2030-Q2K-CA-YK	60	48	200	5.98	11.96	0.637	1.247	3000	4000	0.1027
RB300-L06G-R4030-Q1K-CA-YK	60	48	400	12	24	1.27	2.54	3000	4000	0.242
RB300-L06G-R4030-Q2K-CA-YK	60	48	400	12	24	1.27	2.54	3000	4000	0.2537
RB300-L08G-R7530-Q1K-CA-YK	80	48	750	22.5	45	2.387	4.774	3000	4000	0.641
RB300-L08G-R7530-Q2K-CA-YK	80	48	750	22.5	45	2.387	4.774	3000	4000	0.734
RB300-L08G-1R030-Q1K-CA-YK	80	48	1000	30	60	3.183	6.336	3000	4000	0.854
RB300-L08G-1R030-Q2K-CA-YK	80	48	1000	30	60	3.183	6.336	3000	4000	0.947
RB300-L08G-1R530-Q2K-CA	130	48	1500	31	93	4.78	14.33	3000	3000	12.65

## Application:



• Industrial Mobile Robots



• Service Mobile Robots



• Specialized Mobile Robots



• Automation Equipment

## Suzhou Veichi Electric Co., Ltd.

No.1000 Songjia Road, Wuzhong Economic and Technological Development Zone, Suzhou, Jiangsu Province, China.

Tel: +86-512-6617 1988  
Hotline: 400-600-0303

Fax: +86-512-6617 3610  
Https: //www.veichi.cn