

VI20 HMI



VEICHI

Suzhou Veichi Electric Co.,Ltd.

No.1888 Songwei Road, Guoxiang Street, Wuzhong Economic and Technological Development Zone, Suzhou, Jiangsu Province, China.

Tel:+86-512-6617 1988 Fax:+86-512-6617 3610

Facebook: <https://www.facebook.com/veichigroup>

WhatsApp:+86-138 2881 8903 <https://www.veichi.org>



Official Website

*Version: Y6/2-01
Information in this manual is subject to change without notice.
Copyright © Veichi Electric. All rights reserved. Unauthorized reproduction prohibited.

Stock code: 688698

About Us



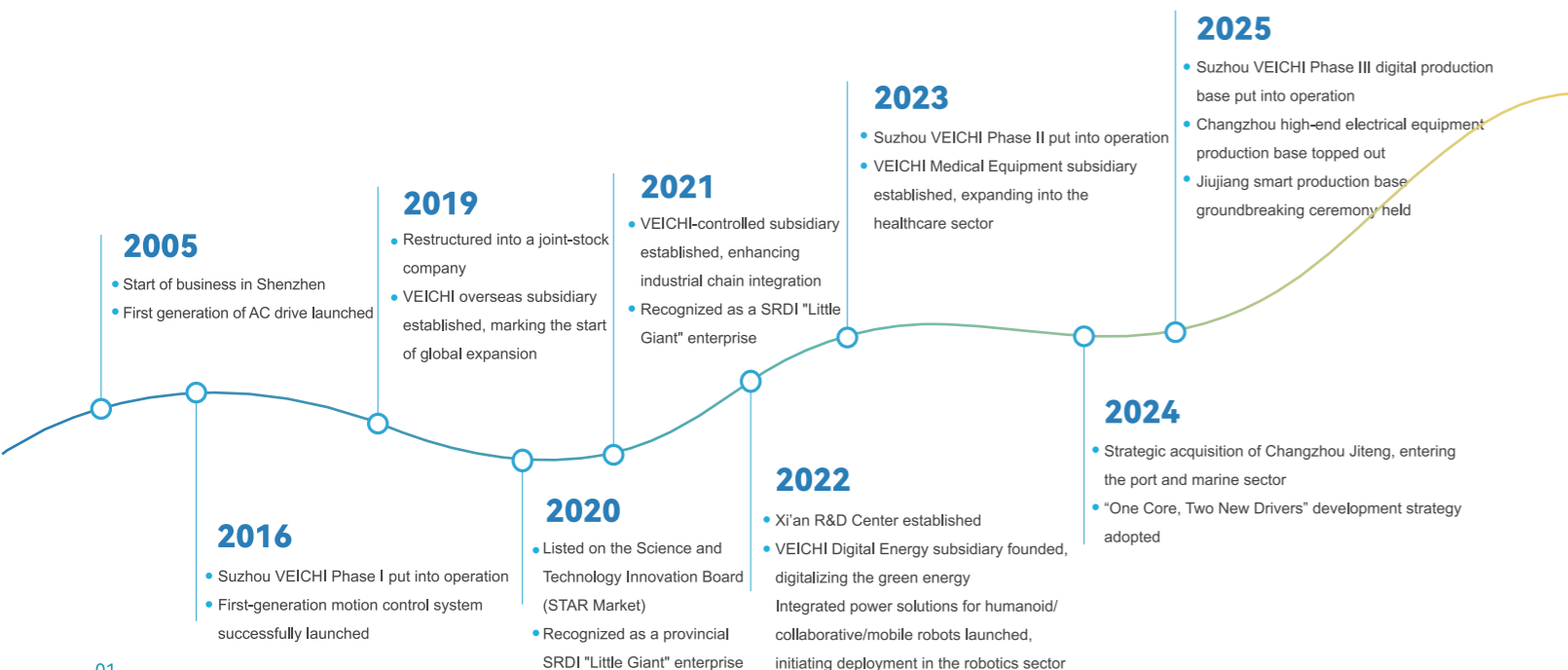
Veichi Electric (Stock Code: 688698) specializes in electrical transmission and industrial control, operating as an integrated high-tech enterprise in R&D, production, and sales of industrial automation products. With a vision to lead in smart industry and green energy solutions, the company leverages its R&D and manufacturing hubs in Suzhou, additional R&D centers in Shenzhen and Xi'an, and wholly-owned subsidiaries overseas, consistently serving customers worldwide with competitive and reliable solutions.

Under the "One Core, Two New Drivers" strategy, Veichi focuses on industrial automation, offering AC drives, servo systems, and control systems widely applied across heavy and light industries, as well as high-end equipment sectors, supporting the digital and intelligent transformation of manufacturing with its tailored solutions. Simultaneously, in two emerging fields, it provides one-stop solutions for humanoid, collaborative, and mobile robots in embodied intelligence, while in green energy, it delves into segments like photovoltaic, energy storage, and hydrogen energy, to "connect every device with green power," fostering a synergistic growth between core operations and new ventures.

Sustained R&D has yielded a portfolio of proprietary patented technologies including silicon carbide application, HF injection, motor controls and protections (auto-tuning, flying-start, high-speed flux-weakening, V/F control, vector control), high-density water-cooling layout, and IGBT drive protection. As of September 30, 2025, Veichi holds 234 patents, with 66 for invention.

Over two decades of steady growth, Veichi has earned numerous certifications and accolades from national and regulatory authorities, including "High-Tech Enterprise," "Postdoctoral Research Workstation," and provincial honors like "Engineering Technology Research Center," "Enterprise Technology Center," and "Industrial Internet Development Demonstration Enterprise (Benchmark Factory Category)."

Guided by its mission to "Drive Smart Industry, Co-create a Green Future," Veichi will continue to intensify R&D and advance into high-performance, high-reliability fields to propel global progress.



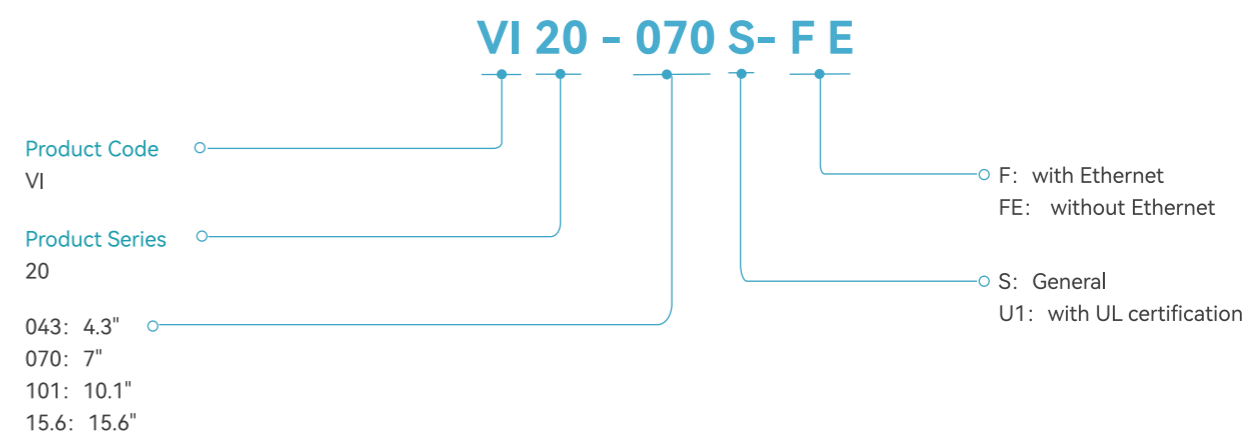
VI20 HMI

VEICHI VI20 series is a new generation of IoT HMI, with industrial ABS plastic housing which is economic and firm; new molding with downward wiring outlet for higher convenience; redesigned front face for better looking; and higher resolution for customers to choose.

FLink IoT module now is optional with which an IoT HMI is immediately here to offer complete industrial cloud platform service.



Model Description



Product Features

High definition, High brightness, Panoramic view

High-definition, high-brightness liquid crystal display with a maximum viewing angle of 170°.



- 800×480 250 cd/m²
- 1024×600 350 cd/m²
- 1024×600 400 cd/m²

Edge computing

Embedded edge computing, Software

- 300+ protocols for local parsing
- VPN and Routing
- Data storage
- MQTT



FLink IOT expansion

Remote configuration of device data via FLink

- Remote download via PLC
- Data configuration
- History record query
- Alarm setting

Slots for expansion modules are:
IOT-Flink2-4G、IOT-Flink2-WIFI



FlexCloud

Strong SAAS platform based on B/S architecture

- Configuration monitoring
- Map monitoring
- Data report
- Mobile APP

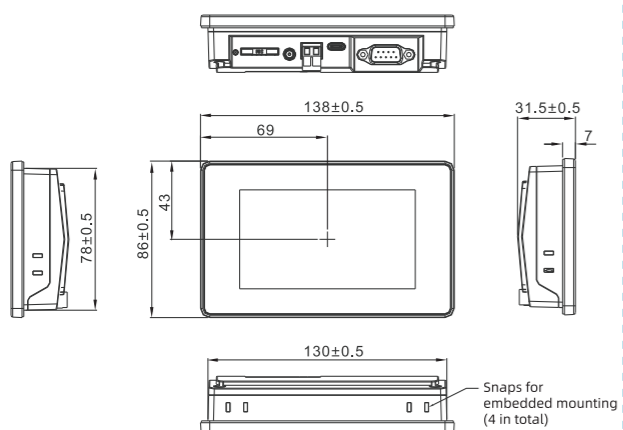


Technical Specification

	Model	VI20-043S-F2	VI20-070S-F2	VI20-070S-FE2	VI20-101S-F2	VI20-101S-FE2	VI20-156S-FE	
Hardware Parameter	Display	4.3" 16:9 TFT LCD	7" 16:9 TFT LCD		10.1" 16:9 TFT LCD		15.6" 16:9 TFT LCD	
	Resolution	800×480	1024×600				1920×1080	
	Color	16-bit	24-bit				65K	
	Brightness	250 cd/m ²	350 cd/m ²		400 cd/m ²		250 cd/m ²	
	Backlight	LED						
	LCD life	50000 hours						
	Touch screen	4-wire industrial resistive touch screen						
	CPU	1GHz, dual-core Cortex-A7	Cortex-A7(main frequency is 1GHz,dual-core)				1G ARM Cortex-A8	
	Memory	128MB Flash + 128MB DDR3	256MB DDR3+256MB eMMC				256MB Flash+ 512MB DDR3	
	RTC	With	Built-in real-time clock					
	SD card	None						Micro SD(TF) card
	Ethernet	None	None	1 x 10M/100M	None	1 x 10M/100M	2 x 10M/100M	
	USB	1 x Type-C OTG	1*Type-C 2.0 port;1*USB Type-A 2.0port					
	Download	USB Slave/USB flash disk (adaptor needed)	USB Slave/USB flash disk	USB Slave/USB flash disk/ Ethernet	USB Slave/USB flash disk	USB Slave/USB flash disk/ Ethernet	USB Slave/USB flash disk/Ethernet	
Serial communication	COM1:RS232/RS485/RS422 COM3:RS232	COM1:RS232/RS485/RS422 COM2:RS485 COM3:RS232	COM1:RS232/RS485/RS422 COM2:RS485 COM3:RS232	COM1:RS232/RS485/RS422 COM2:RS485 COM3:RS232	COM1:RS232/RS485/RS422 COM2:RS485 COM3:RS232	COM1/COM3: RS232/RS485/RS422 COM2:RS485/RS422		
LCD viewing angle (T/B/L/R)	80°/80°/80°/80°		85°/85°/85°/85°					
Electrical Specification	Rated power	<5W	<10W			<18W		
	Rated voltage	DC24V, operating voltage DC 9V~28V					DC24V, operating voltage DC 18V~28V	
	Power protection	Lightning surge protection					Power isolation module with lightning surge protection	
	Allowable power loss	<5ms						
	CE&RoHS	CE & RoHS In accordance with EN61000-6-2:2005, EN61000-6-4:2007; Lightning surge ±1KV, and group pulse ±2KV in accordance with RoHS Electrostatic contact 4KV, and air discharge 8KV in accordance with EMC RoHS						
Environment Requirement	Operating temperature	0~50°C						
	Storage temperature	-20~60°C						
	UV protection	No working in strong UV environment (e.g. direct sunlight)						
	Ambient humidity	10~90%RH (no condensation)						
	Vibration resistance	10~25Hz (2G/30m in X, Y, Z direction)						
Mechanical Index	Cooling method	Natural air cooling						
	Installation method	Embedded mounting / VESA mounting						
	Protection class	IP65 in front panel (for installation with leveling panel cabinet) IP20 in rear housing						
	Mechanical structure	Engineering plastic					Metal	
	Opening size	132mm×80mm	190mm×136mm (+1.5mm/-0.0mm)		260mm×202mm		380mm×245mm	
	Overall dimension	138mm×86mm×32mm	204mm×145mm×36.6mm (±0.3mm)		273mm×213mm×36mm		394mm×256mm×36mm	
Weight	About 300g	About 476g		About 890g		About 2250g		

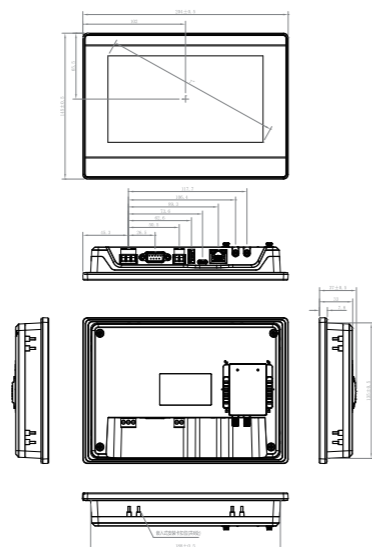
Installation Dimension

VI20-043S-F2



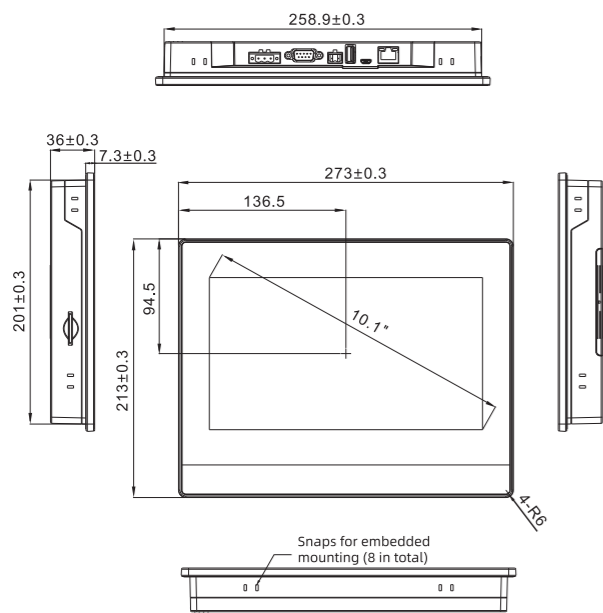
Opening size for embedded mounting: 132*80mm

VI20-070S-F2/VI20-070S-FE2



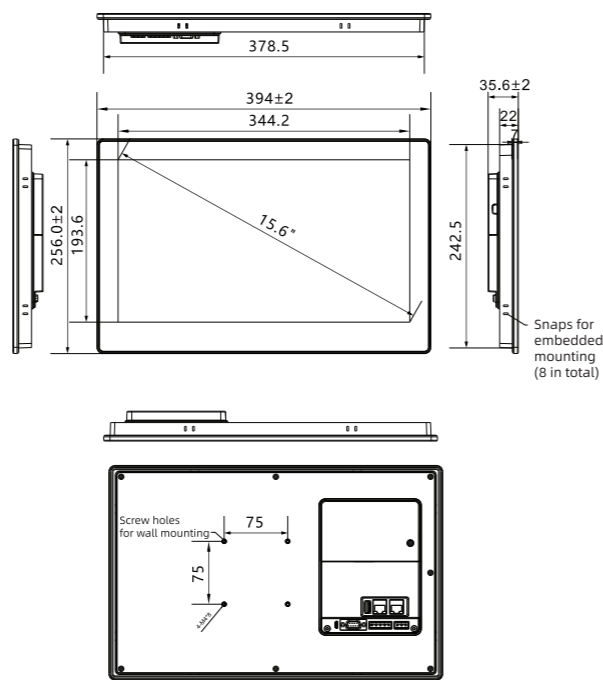
Opening size for embedded mounting: 190*136(+1.5mm/-0.0mm)

VI20-101S-F2/VI20-101S-FE2



Opening size for embedded mounting: 260*202(+1.0mm/-0.0mm)

VI20-156S-FE2



Opening size for embedded mounting: 380mm*245mm

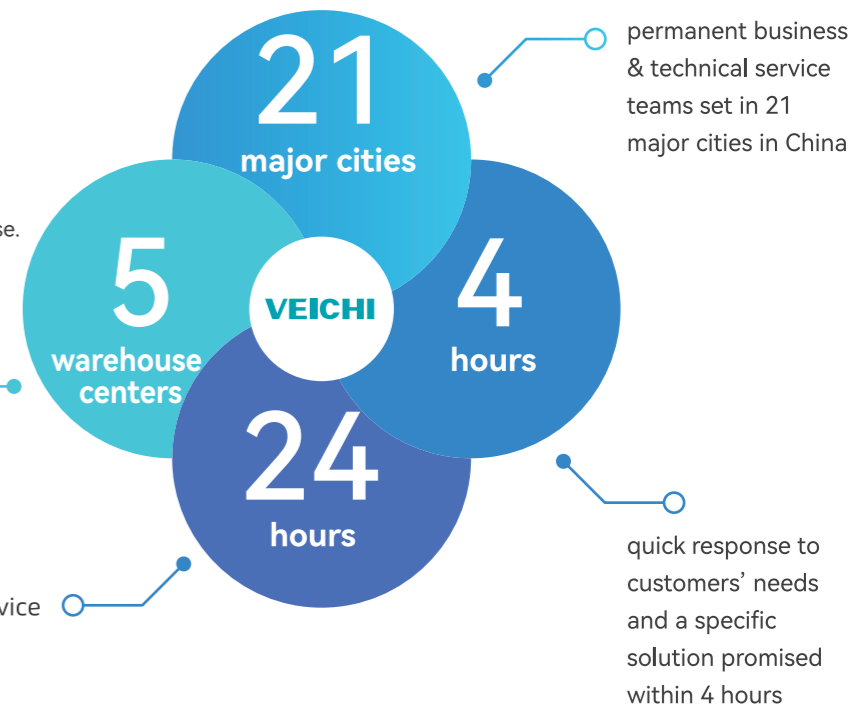
Service and Support

Technology innovation-based and service first

Practice the "customer-centered" concept
 Create a "five-star" service system
 Grasp real-time service dynamics via network and telephone to solve customers' problem
 Serve with hearts, patience and focus so that customers will buy with confidence and use with ease.

5 major warehouse centers set for fast and worry-free nationwide logistics and distribution

24-hour technical and after-sales service



01

Pre-sales
 technology promotion,
 site survey, proposal design,
 energy saving assessment

02

During-sales
 customization, design
 consultation,
 installation and
 commissioning,
 on-site training

03

After-sales
 regular return visits,
 regular maintenance,
 timely repairs,
 application instruction

