

HMI Series

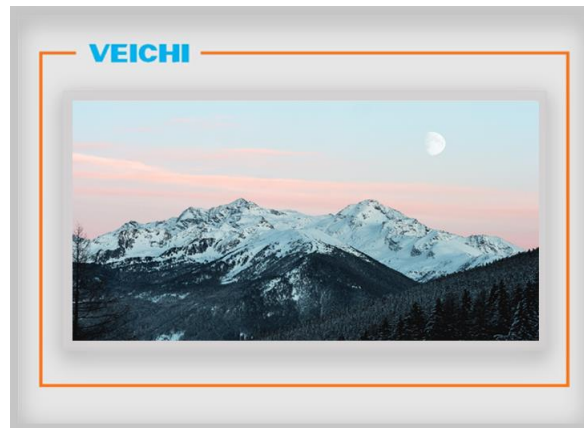
Model: VI30-156-CWH-EN

Product Overview

The VEICHI VI30 series is a reliable, low-cost IoT HMI with a cast aluminium casing. Its mainboard features a triple-coated process in its redesign for tough conditions, and boasts enhanced aesthetics and higher-resolution options.

With WIFI, it updates to an IoT interface, accessing full industrial IoT cloud services.

Product Appearance



Product Specifications

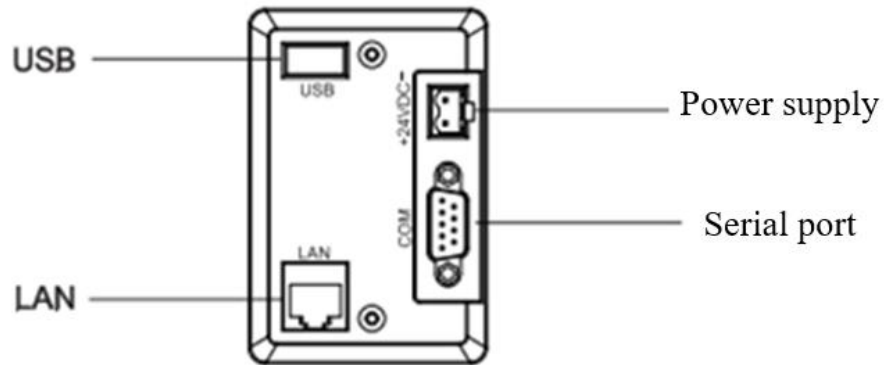
Characteristics	Display screen	15.6"16:9 TFT LED screen
	Resolution	1920x1080
	Color	262K
	Brightness	220 cd/m ²
	Touch screen	4-wire resistive type
	Input voltage	24_+20%VDC
	Rated power	16W
	Processor	Cortex-A7, multicore 1GHz
	Memory	128M
	Data storage	128M
	Hardware clock	Built-in
External Interfaces	Serial	Method 1: COM1(232), COM2(485), COM3(485) Method 2: COM1(232), COM9(422)
	USB	1 x Host
	Ethernet	1x10/ 100M self-adaption
WiFi expansion	WiFi	WiFi IEEE802.11 b/g/n
	4G	None
Environment	Temperature	0°C~45°C
	Operating humidity	5%~90%(non-condensing)
	Storage temperature	-10°C~60°C
	Storage humidity	5%~90%(non-condensing)

2

Specification	Casing material	Cast aluminium
	Casing color	Industrial white
	Panel dimensions (mm)	395×258
	Cabinet aperture(mm)	384×247
Certification	Certification	CE/FCC
	IP	IP65 (front panel)
	EMC	Level 3

Wiring Definition

Interface



Serial Port Pin Definition



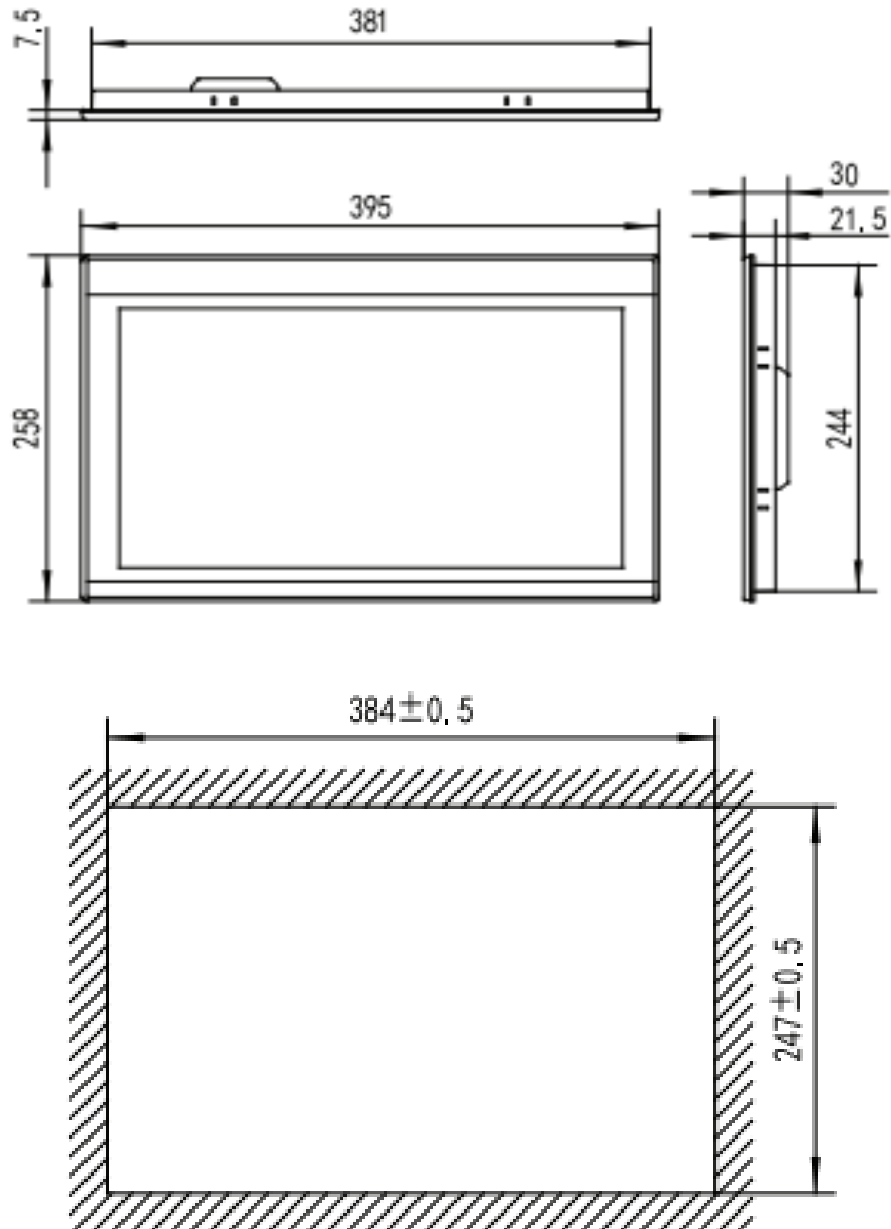
Pin Definition

Port	PIN	Definition
COM1	2	RS232 RXD
	3	RS232 TXD
	5	GND
COM2	7	RS485 +
	8	RS485 -
COM3	4	RS485 +
	9	RS485 -

Touch Screen Serial Interface Definition

Power	24+_20% VDC
Serial port	Method 1: COM1(232), COM2(485), COM3(485) Method 2: COM1(232), COM9(422)
USB1 (main)	Used to connect a USB, download programs, and export stored data
LAN (RJ45)	10M/100M self-adaption

Dimensions



Embedded installation hole size: 384*247(mm)

Contacts

Suzhou (Headquarter)

Address: No.1000 Songjia Road, Wuzhong Economic and Technological Development Zone, Suzhou, Jiangsu Province, China.

Tel: 0512-66171988

Fax: 0512-66173610

Shenzhen (Subsidiary)

Address: 3rd Floor, Building ChunSheng, Lingya Industrial Park, No. 1 Road, Tangtou Community, Shiyan Street, Baoan District, Shenzhen, China.

Tel: 0755-36861688

Fax: 0755-29685680