

# VEICHI

## Solar Water Pumping System



# VEICHI

Suzhou Veichi Electric Co., Ltd

No.1000 Songjia Road, Guoxiang street, Wuzhong Economic and Technological Development Zone, Suzhou  
Tel:+86-512-6617 1988  
Fax:+86-512-6617 3610

Facebook: <https://www.facebook.com/veichiglobal/>  
Whatsapp: +86- 138 2881 8903  
[Http://www.veichi.org](http://www.veichi.org)



Wechat Official Account

\*Version:2021 V1.0  
Veichi Electric Co., Ltd all rights reserved,  
subject to change without notice.





### Product Overview

- The stainless steel submersible pump adopts mature advanced production technology and reliable quality control system,featuring compact structure,excellent performance,high efficiency and energy saving,and convenient to use and install. Mainly used for deep well water intake, agricultural irrigation, urban garden construction and other clean water delivery places.

### Operation Environment

- Liquid Temperature: 25°C (standard), 45°C and 90°C for optional
- PH Value: 6.5-8.5
- Maximum submergence depth 70m

### Motor Specification

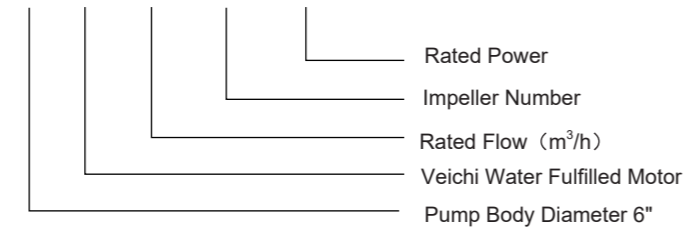
- High Efficiency Submersible Motor
- Motor Manufacturer Based Advanced Technology and Reliable Quality Assurance System
- NEMA Industrial Installation Standards

### Water Fulfilled Motor

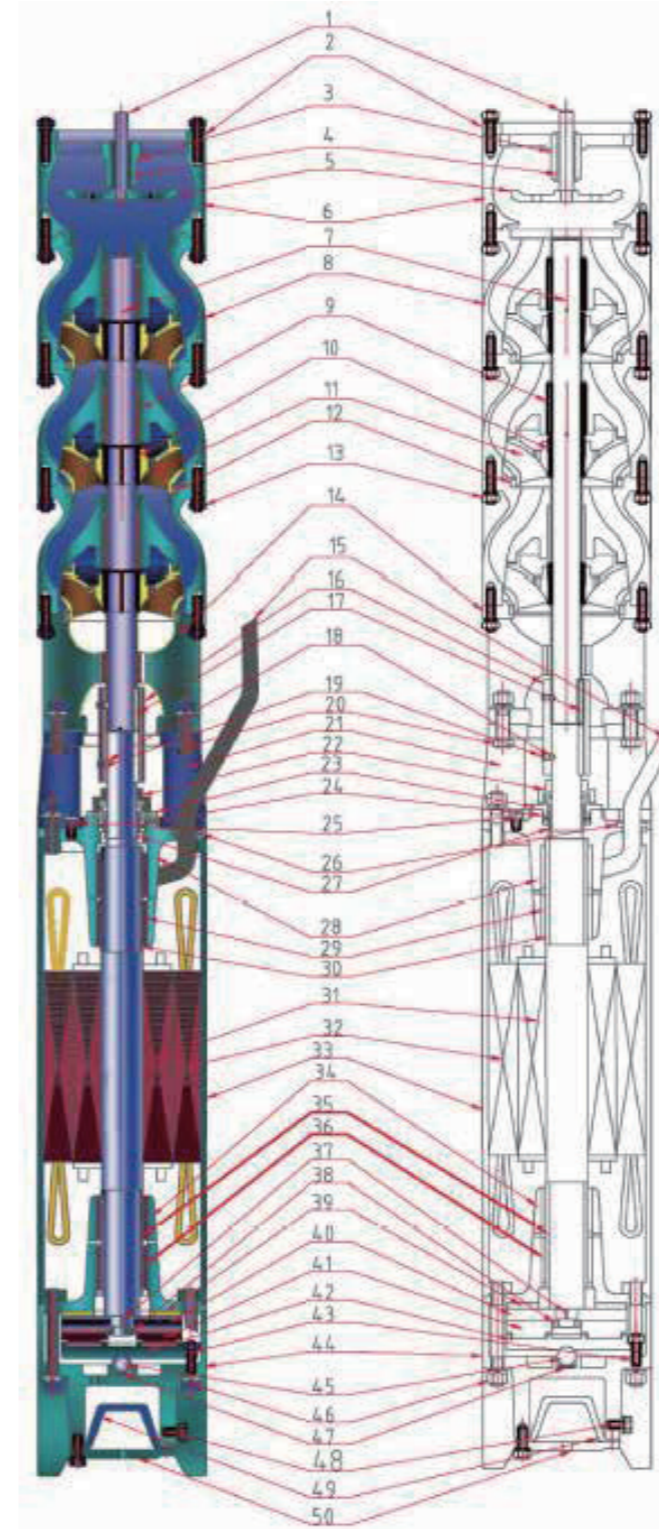
- Power Input 350-400V/50Hz
- Power Range: 2.2kw-110kW Variable Frequency Motor
- Variable Frequency Motor

### Model

**6 VWF 17 / 3 - 2.2**

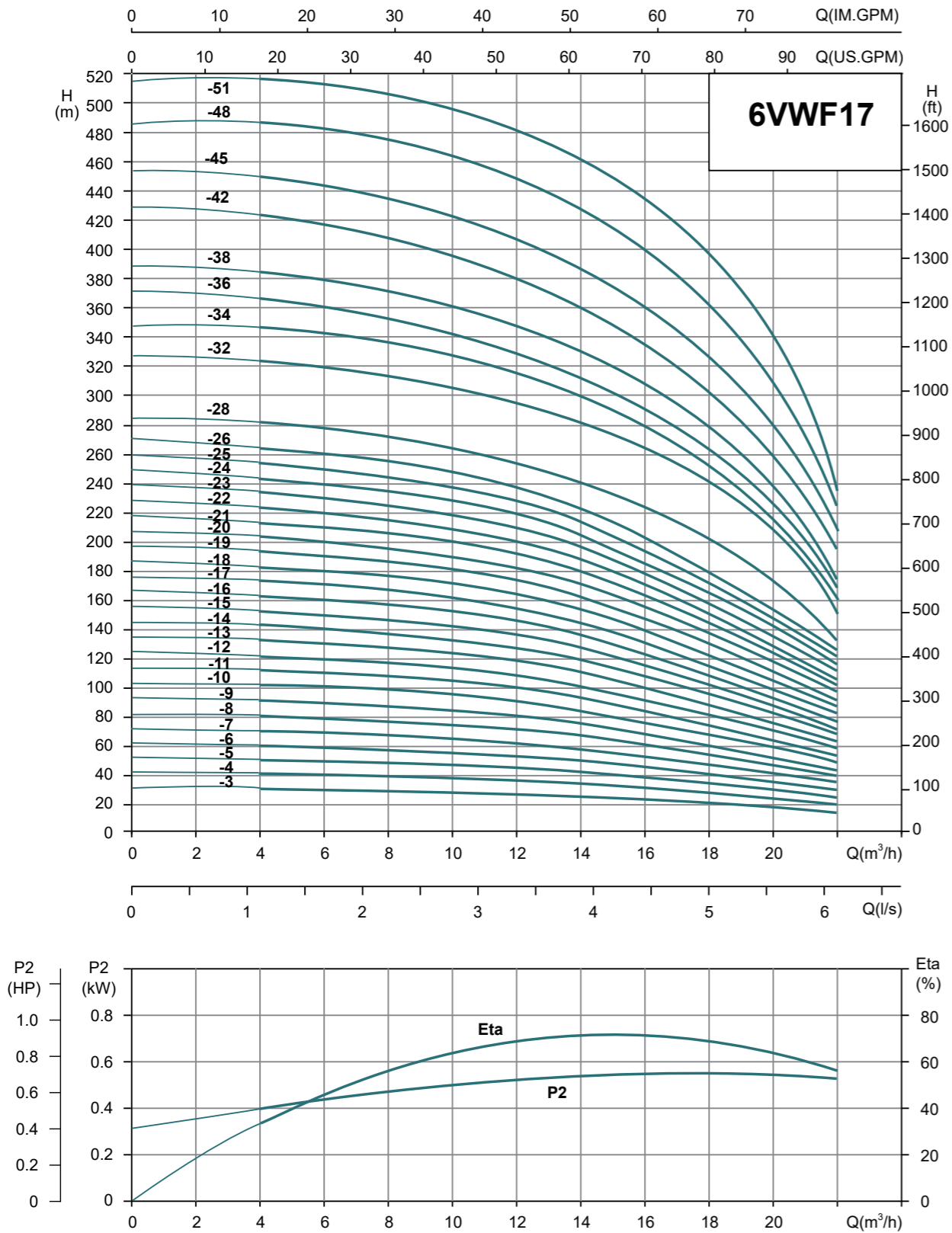


### Motor Structure



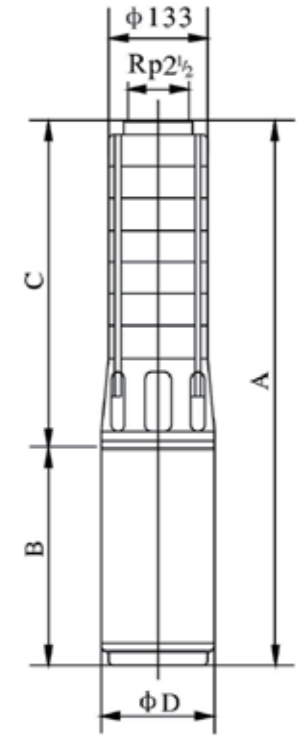
No.	Name	No.	Name
1	Check Value	26	Fairlead Seal Ring
2	Outlet Flange	27	Oil Seal Sleeve
3	Check Vaule Seat	28	Upper Bearing Seat
4	Check Vaule Sleeve	29	Upper Bearing Bush
5	Check Vaule Disk	30	Rotor Upper Sleeve
6	Check Vaule Body	31	Motor Rotor
7	Pump Spindle	32	Motor Stator
8	Diversion Shell	33	Motor Shell
9	Bearing	34	Lower Bearing Seat
10	Taper Sleeve	35	Rotor Lower Sleeve
11	Impeller	36	Lower Bearing Bush
12	Annular	37	Thrust Disk Bolt
13	Bolt Nut Gasket	38	Lock Nut & Plate
14	Water Inlet Section	39	Upper Thrust
15	Outlet Cable	40	Skate Board
16	Coupling	41	Lower Thrust
17	Bolt	42	Bracket
18	Dowel Pin	43	Stop Screw
19	Jack Bolt	44	Base
20	Connecting Bolt	45	Steel Ball & Block
21	Motor Flange	46	Connecting Bolt & Nut
22	Sand Slinging Ring	47	Adjusting Shim
23	Oil Seal Gland	48	Drain Plug
24	Framework Seal Gland	49	Adjusting Vesicles
25	Injection Hole Plug	50	Base Gland

### Performance Curve



### Size and Weight

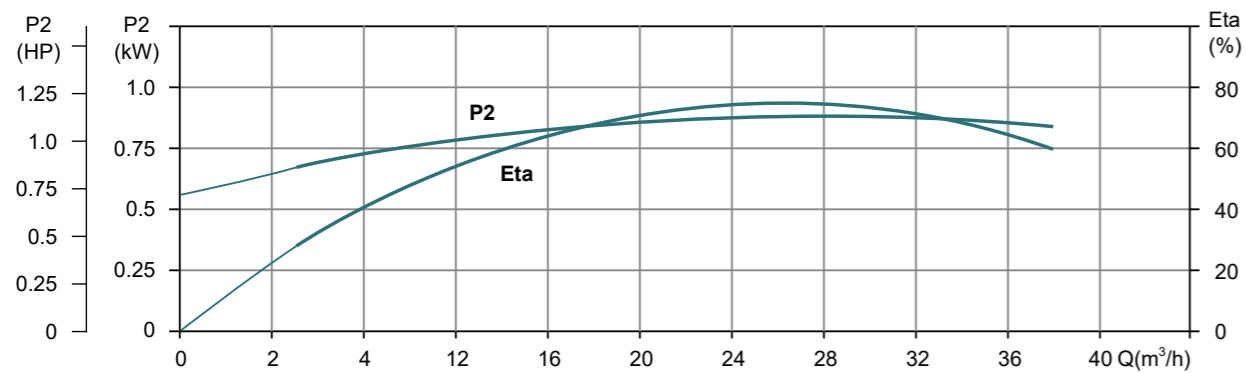
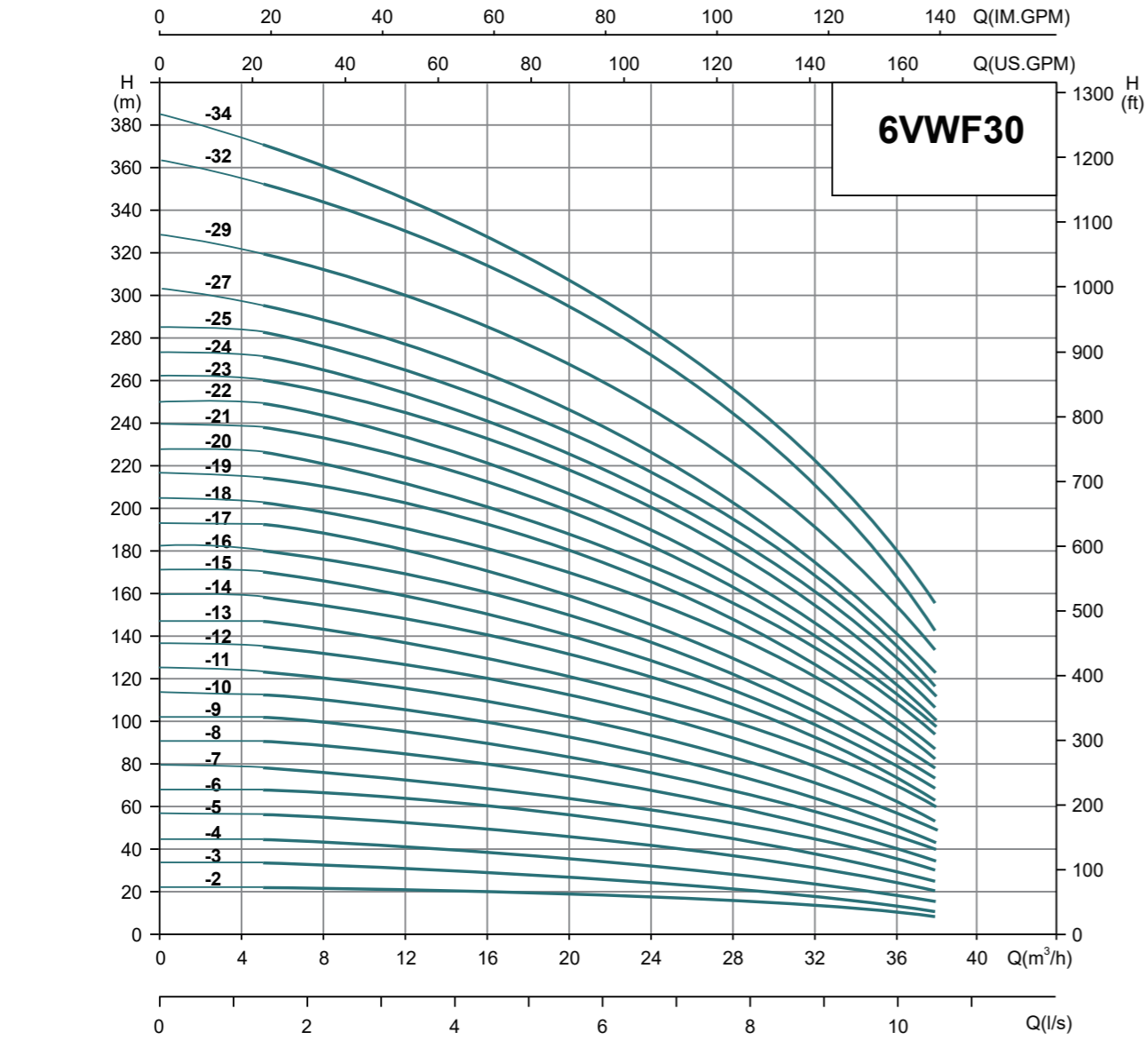
Model	Dimension (mm) (6" Motor)				Weight (kg)
	A	B	C	D	
6VWF17/3-2.2	916	513	403	144	37
6VWF17/4-2.2	962	513	449	144	38
6VWF17/5-3	1008	513	495	144	39
6VWF17/6-4	1069	528	541	144	41
6VWF17/7-4	1115	528	587	144	42
6VWF17/8-5.5	1206	573	633	144	49
6VWF17/9-5.5	1252	573	679	144	50
6VWF17/10-5.5	1298	573	725	144	51
6VWF17/11-7.5	1374	603	771	144	60
6VWF17/12-7.5	1420	603	817	144	61
6VWF17/13-7.5	1466	603	863	144	62
6VWF17/14-9.2	1562	653	909	144	75
6VWF17/15-9.2	1608	653	955	144	76
6VWF17/16-9.2	1654	653	1001	144	77
6VWF17/17-9.2	1700	653	1047	144	78
6VWF17/18-11	1776	683	1093	144	85
6VWF17/19-11	1822	683	1139	144	86
6VWF17/20-11	1868	683	1185	144	87
6VWF17/21-13	2028	797	1231	144	95
6VWF17/22-13	2074	797	1277	144	96
6VWF17/23-13	2120	797	1323	144	98
6VWF17/24-13	2166	797	1369	144	99
6VWF17/25-15	2262	847	1415	144	106
6VWF17/26-15	2308	847	1461	144	107
6VWF17/28-18.5	2475	922	1553	144	116
6VWF17/32-18.5	2659	922	1737	144	121
6VWF17/34-22	2828	999	1829	144	135
6VWF17/36-22	2920	999	1921	144	138
6VWF17/38-22	3012	999	2013	144	141
6VWF17/42-25	3286	1089	2197	144	158
6VWF17/45-25	3424	1089	2335	144	162
6VWF17/48-30	3632	1159	2473	144	172
6VWF17/51-30	3770	1159	2611	144	176



### Specification

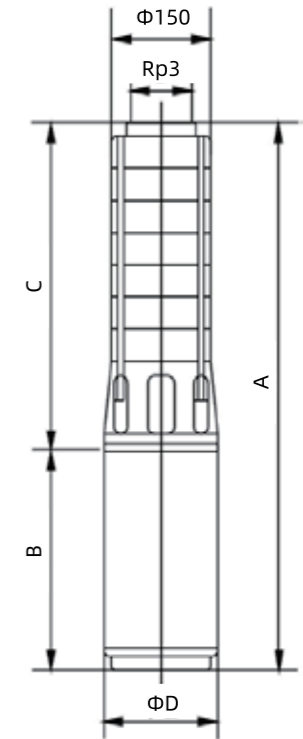
Model	Power (kW)	Outlet	Flow Q(m³/h)	4	6	8	10	12	14	17	20	22
6VWF17/3-2.2	2.2	3"	H (m)	31	30	29.5	28.5	27	24.5	20.5	16	13
6VWF17/4-2.2	2.2			41	40	39.5	38	36.5	33.5	28	22	18
6VWF17/5-3	3			52	51	50	48	45	42	35	28	23
6VWF17/6-4	4			62	61	60	58	55	51	42	34	27
6VWF17/7-4	4			73	71	70	67	64	59	49	40	31
6VWF17/8-5.5	5.5			83	81	80	77	73	67	57	45	36
6VWF17/9-5.5	5.5			93	91	90	87	82	76	64	52	40
6VWF17/10-5.5	5.5			103	101	100	97	91	85	72	58	45
6VWF17/11-7.5	7.5			113	111	109	106	100	94	79	64	50
6VWF17/12-7.5	7.5			123	121	119	115	109	102	87	70	55
6VWF17/13-7.5	7.5			133	131	129	125	118	111	95	75	60
6VWF17/14-9.2	9.2			143	141	139	134	128	119	102	81	65
6VWF17/15-9.2	9.2			153	151	148	144	137	128	109	87	70
6VWF17/16-9.2	9.2			163	161	158	154	146	136	116	92	75
6VWF17/17-9.2	9.2			173	171	167	163	155	145	123	98	79
6VWF17/18-11	11			184	181	177	173	164	154	130	104	84
6VWF17/19-11	11			194	191	187	182	174	162	138	110	89
6VWF17/20-11	11			204	201	197	192	184	171	145	116	94
6VWF17/21-13	13			214	211	207	202	193	180	152	121	99
6VWF17/22-13	13			224	221	217	211	202	188	160	127	104
6VWF17/23-13	13			235	231	227	221	211	198	167	133	109
6VWF17/24-13	13			245	241	236	230	220	205	174	139	113
6VWF17/25-15	15			255	251	246	240	229	213	181	145	118
6VWF17/26-15	15			265	261	256	250	238	222	189	150	122
6VWF17/28-18.5	18.5			285	281	276	270	258	240	204	162	132
6VWF17/32-18.5	18.5			325	321	316	309	297	274	234	184	150
6VWF17/34-22	22			346	341	336	329	317	292	250	196	160
6VWF17/36-22	22			366	361	356	349	336	309	265	207	168
6VWF17/38-22	22			386	381	376	368	355	326	280	218	176
6VWF17/42-25	25			427	421	416	408	395	360	310	242	195
6VWF17/45-25	25	457	451	446	437	424	385	334	258	209		
6VWF17/48-30	30	488	481	476	467	454	412	356	276	222		
6VWF17/51-30	30	518	511	506	496	483	439	378	292	235		

### Performance Curve



### Size and Weight

Model	Dimension (mm) (6" Motor)				Weight (kg)
	A	B	C	D	
6VWF30/2-2.2	890	513	377	144	38
6VWF30/3-3	946	513	433	144	39
6VWF30/4-4	1017	528	489	144	41
6VWF30/5-5.5	1118	573	545	144	48
6VWF30/6-5.5	1174	573	601	144	50
6VWF30/7-7.5	1260	603	657	144	60
6VWF30/8-7.5	1316	603	713	144	61
6VWF30/9-9.2	1422	653	769	144	75
6VWF30/10-9.2	1478	653	825	144	77
6VWF30/11-9.2	1534	653	881	144	79
6VWF30/12-11	1620	683	937	144	85
6VWF30/13-11	1676	683	993	144	87
6VWF30/14-13	1846	797	1049	144	96
6VWF30/15-13	1902	797	1105	144	98
6VWF30/16-15	2008	847	1161	144	106
6VWF30/17-15	2064	847	1217	144	108
6VWF30/18-18.5	2195	922	1273	144	117
6VWF30/19-18.5	2251	922	1329	144	119
6VWF30/20-18.5	2307	922	1385	144	120
6VWF30/21-18.5	2363	922	1441	144	122
6VWF30/22-22	2496	999	1497	144	138
6VWF30/23-22	2552	999	1553	144	140
6VWF30/24-22	2608	999	1609	144	142
6VWF30/25-22	2664	999	1665	144	144
6VWF30/27-25	2866	1089	1777	144	160
6VWF30/29-25	2978	1089	1889	144	164
6VWF30/32-30	3216	1159	2057	144	177
6VWF30/34-30	3328	1159	2169	144	182

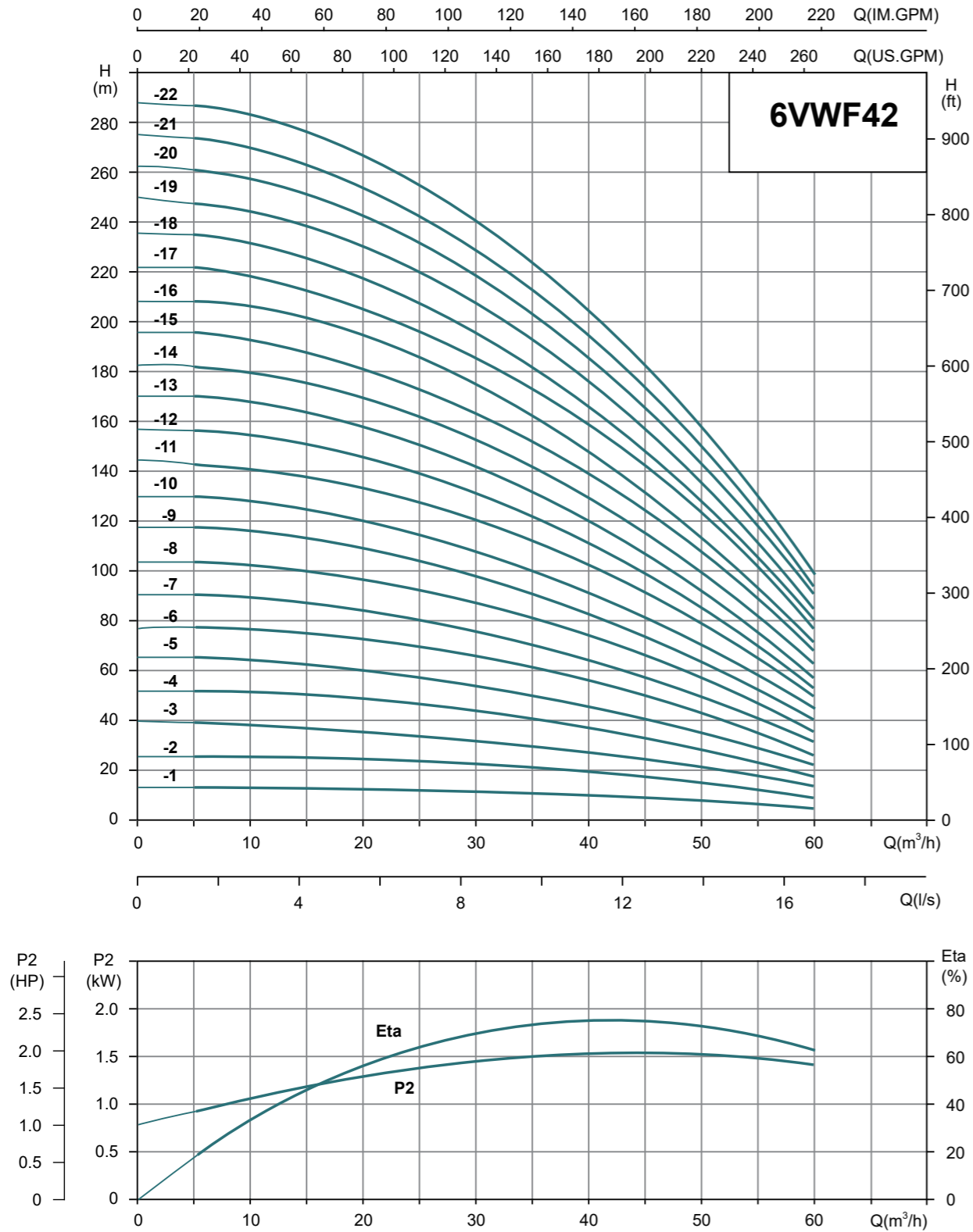


### Specification

Model	Power (kw)	Outlet	Flow Q(m³/h)	5	8	12	16	20	24	28	30	32	36	38
6VWF30/2-2.2	2.2	3"	H (m)	22.5	22	21	20	19	17.5	16	15	14	10.5	9
6VWF30/3-3	3			33.5	33	32	30	28	26	24	22	20	16	14
6VWF30/4-4	4			44.5	44	42	40	37	35	32	29	27	21	18
6VWF30/5-5.5	5.5			55.5	55	53	50	47	44	40	37	34	27	23
6VWF30/6-5.5	5.5			67	66	63	60	56	52	48	44	41	32	27
6VWF30/7-7.5	7.5			77	76	74	70	65	61	55	52	48	37	32
6VWF30/8-7.5	7.5			89	87	84	80	75	70	63	59	54	43	36
6VWF30/9-9.2	9.2			101	98	95	90	84	78	71	66	61	48	41
6VWF30/10-9.2	9.2			112	109	105	100	93	87	79	74	68	53	45
6VWF30/11-9.2	9.2			123	120	116	110	103	96	87	81	75	59	50
6VWF30/12-11	11			134	131	126	120	112	105	95	88	82	64	54
6VWF30/13-11	11			145	142	137	129	121	113	103	96	88	69	59
6VWF30/14-13	13			157	153	147	139	130	122	111	103	95	74	63
6VWF30/15-13	13			168	164	158	149	140	131	119	110	102	80	68
6VWF30/16-15	15			180	175	168	159	149	140	127	118	109	85	72
6VWF30/17-15	15			190	186	179	169	158	148	135	125	116	90	77
6VWF30/18-18.5	18.5			201	197	189	179	168	157	143	132	122	96	81
6VWF30/19-18.5	18.5			212	207	200	189	177	166	150	140	129	101	86
6VWF30/20-18.5	18.5			223	218	210	199	186	174	158	147	136	106	90
6VWF30/21-18.5	18.5			235	229	221	209	196	183	166	155	143	112	95
6VWF30/22-22	22			246	240	231	219	205	192	174	162	150	117	99
6VWF30/23-22	22			258	251	242	229	214	201	182	169	156	122	104
6VWF30/24-22	22			269	262	252	239	224	209	190	177	163	128	108
6VWF30/25-22	22			281	273	263	249	233	218	198	184	170	133	113
6VWF30/27-25	25			304	295	284	269	251	235	214	199	184	144	122
6VWF30/29-25	25			327	317	305	289	270	252	230	214	197	155	131
6VWF30/32-30	30			362	350	337	319	298	277	253	236	218	171	144
6VWF30/34-30	30			385	372	358	339	317	294	269	251	231	182	153

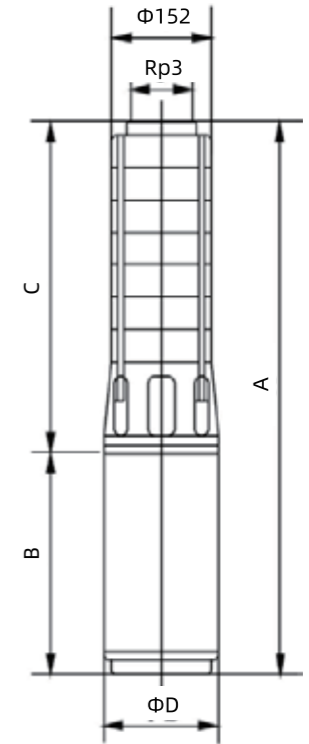


### Performance Curve



### Size and Weight

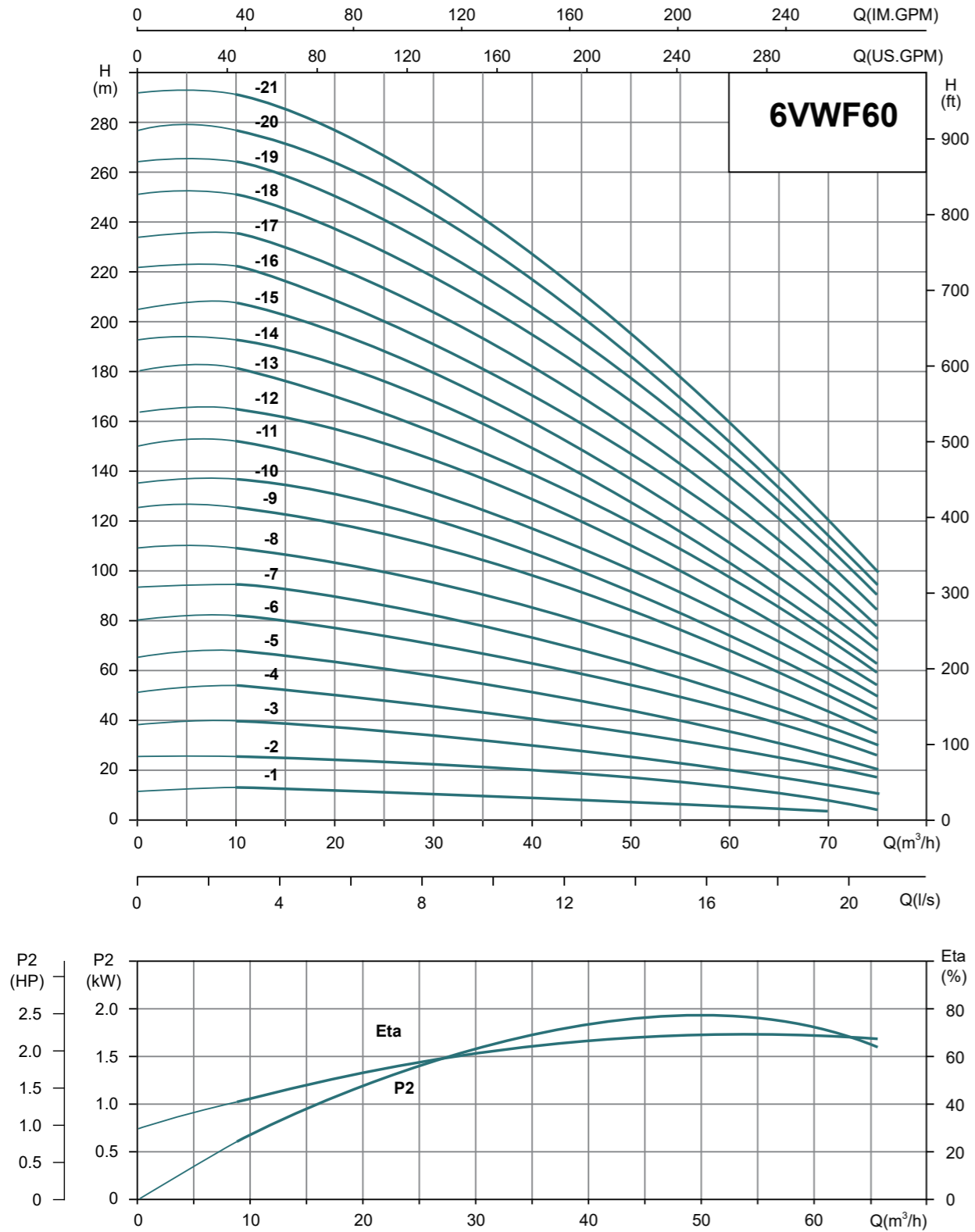
Model	Dimension (mm) (6" Motor)				Weight (kg)
	A	B	C	D	
6VWF42/1-2.2	890	513	377	144	43
6VWF42/2-3	1002	513	489	144	45
6VWF42/3-5.5	1174	573	601	144	48
6VWF42/4-7.5	1316	603	713	144	58
6VWF42/5-7.5	1428	603	825	144	60
6VWF42/6-9.2	1590	653	937	144	73
6VWF42/7-11	1732	683	1049	144	80
6VWF42/8-13	1958	797	1161	144	89
6VWF42/9-15	2120	847	1273	144	97
6VWF42/10-15	2232	847	1385	144	100
6VWF42/11-18.5	2419	922	1497	144	109
6VWF42/12-18.5	2531	922	1609	144	111
6VWF42/13-22	2720	999	1721	144	127
6VWF42/14-22	2832	999	1833	144	129
6VWF42/15-22	2944	999	1945	144	131
6VWF42/16-25	3146	1089	2057	144	145
6VWF42/17-25	3258	1089	2169	144	147
6VWF42/18-30	3440	1159	2281	144	162
6VWF42/19-30	3552	1159	2393	144	164
6VWF42/20-30	3664	1159	2505	144	167
6VWF42/21-37	3916	1299	2617	144	192
6VWF42/22-37	1788	1299	489	144	194



### Specification

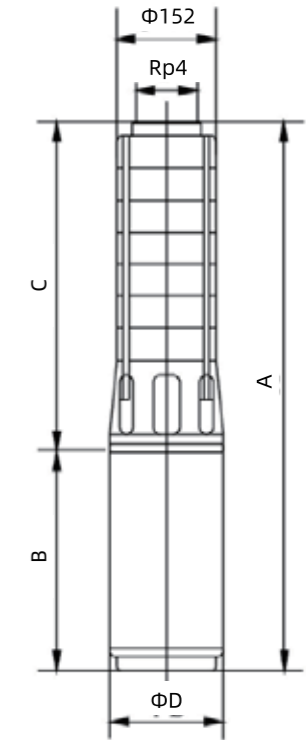
Model	Power (kW)	Outlet	Flow Q(m³/h)	5	10	20	30	40	42	50	60
6VWF42/1-2.2	2.2	3"	H (m)	13	12.5	12	10.5	9	8.5	7	4
6VWF42/2-3	3			26	25.5	34	21.5	18.5	17	14.5	8.5
6VWF42/3-5.5	5.5			40	38.5	36	32.5	28	26.5	22	13
6VWF42/4-7.5	7.5			53	52	49	43	37	36	29	18
6VWF42/5-7.5	7.5			66	65	61	54	47	45	38	23
6VWF42/6-9.2	9.2			79	78	74	66	57	54	45	28
6VWF42/7-11	11			92	91	86	77	66	63	52	32
6VWF42/8-13	13			105	104	98	87	75	72	58	36
6VWF42/9-15	15			118	117	110	97	84	80	65	40
6VWF42/10-15	15			132	130	122	108	93	89	72	45
6VWF42/11-18.5	18.5			144	142	134	119	103	98	79	49
6VWF42/12-18.5	18.5			157	155	146	130	112	107	87	54
6VWF42/13-22	22			170	168	158	141	122	116	94	58
6VWF42/14-22	22			183	181	170	152	131	125	102	63
6VWF42/15-22	22			196	194	182	163	140	134	109	67
6VWF42/16-25	25			209	207	194	174	150	143	116	72
6VWF42/17-25	25			222	220	206	184	159	152	123	77
6VWF42/18-30	30			235	233	218	195	168	161	131	81
6VWF42/19-30	30			248	246	231	206	178	170	138	86
6VWF42/20-30	30			261	259	243	217	187	179	145	90
6VWF42/21-37	37			274	271	255	228	196	188	152	95
6VWF42/22-37	37			287	283	267	238	205	197	160	99

### Performance Curve



### Size and Weight

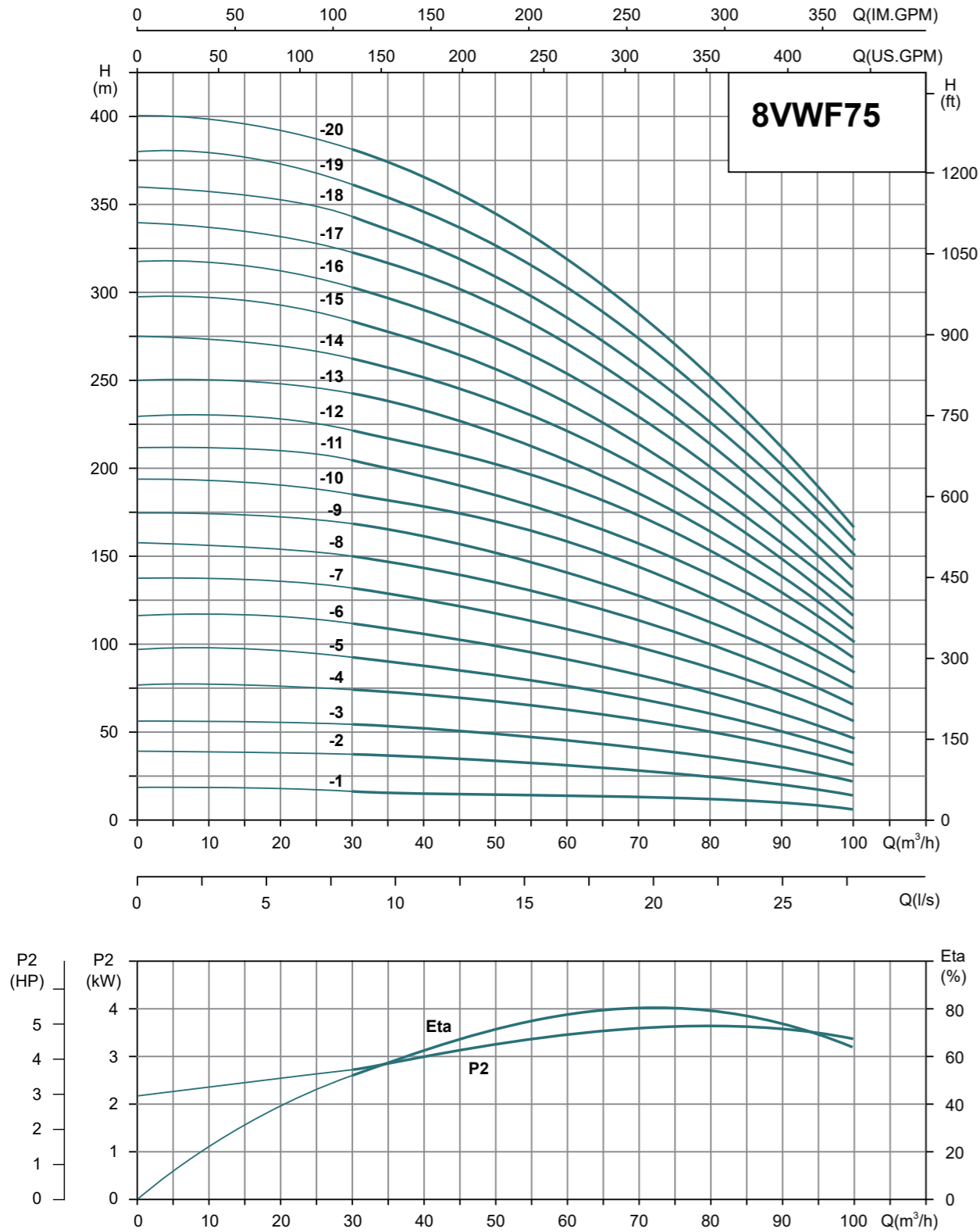
Model	Dimension (mm) (6" Motor)				Weight (kg)
	A	B	C	D	
6VWF60/1-2.2	890	513	377	144	39
6VWF60/2-4	1017	528	489	144	41
6VWF60/3-5.5	1174	573	601	144	49
6VWF60/4-7.5	1316	603	713	144	59
6VWF60/5-9.2	1478	653	825	144	72
6VWF60/6-11	1620	683	937	144	78
6VWF60/7-13	1846	797	1049	144	87
6VWF60/8-15	2008	847	1161	144	96
6VWF60/9-18.5	2195	922	1273	144	105
6VWF60/10-18.5	2307	922	1385	144	107
6VWF60/11-22	2496	999	1497	144	123
6VWF60/12-22	2608	999	1609	144	125
6VWF60/13-25	2810	1089	1721	144	139
6VWF60/14-25	2922	1089	1833	144	141
6VWF60/15-30	3104	1159	1945	144	156
6VWF60/16-30	3216	1159	2057	144	158
6VWF60/17-30	3328	1159	2169	144	160
6VWF60/18-37	3580	1299	2281	144	186
6VWF60/19-37	3692	1299	2393	144	188
6VWF60/20-37	3804	1299	2505	144	190
6VWF60/21-37	3916	1299	2617	144	191



### Specification

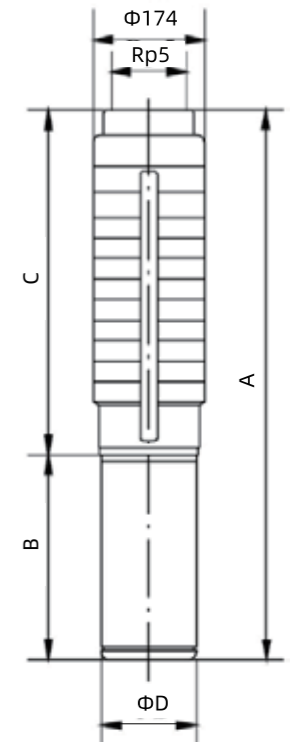
Model	Power (kw)	Outlet	Flow Q(m³/h)	20	30	40	50	60	70	75
6VWF60/1-2.2	2.2	4"	H (m)	12	10.5	8.5	7	6	4	-
6VWF60/2-4	4			24.5	22	19	16.5	12.5	9	6
6VWF60/3-5.5	5.5			37	34	29	25	20	14	10
6VWF60/4-7.5	7.5			51	46	40	35	29	21	17
6VWF60/5-9.2	9.2			65	59	51	45	37	28	21
6VWF60/6-11	11			79	72	62	54	45	34	26
6VWF60/7-13	13			92	84	73	63	53	39	30
6VWF60/8-15	15			105	96	84	73	61	45	35
6VWF60/9-18.5	18.5			121	110	96	85	69	52	40
6VWF60/10-18.5	18.5			132	121	106	93	77	58	45
6VWF60/11-22	22			145	133	117	102	85	64	50
6VWF60/12-22	22			158	145	127	110	93	70	54
6VWF60/13-25	25			172	157	139	120	100	75	59
6VWF60/14-25	25			185	168	148	128	106	80	63
6VWF60/15-30	30			198	180	159	138	114	85	68
6VWF60/16-30	30			212	192	170	147	122	91	72
6VWF60/17-30	30			224	204	181	157	130	98	77
6VWF60/18-37	37			240	219	194	168	140	105	84
6VWF60/19-37	37			253	231	204	178	148	112	89
6VWF60/20-37	37			265	242	214	186	155	118	94
6VWF60/21-37	37			278	255	226	196	163	123	98

### Performance Curve



### Size and Weight

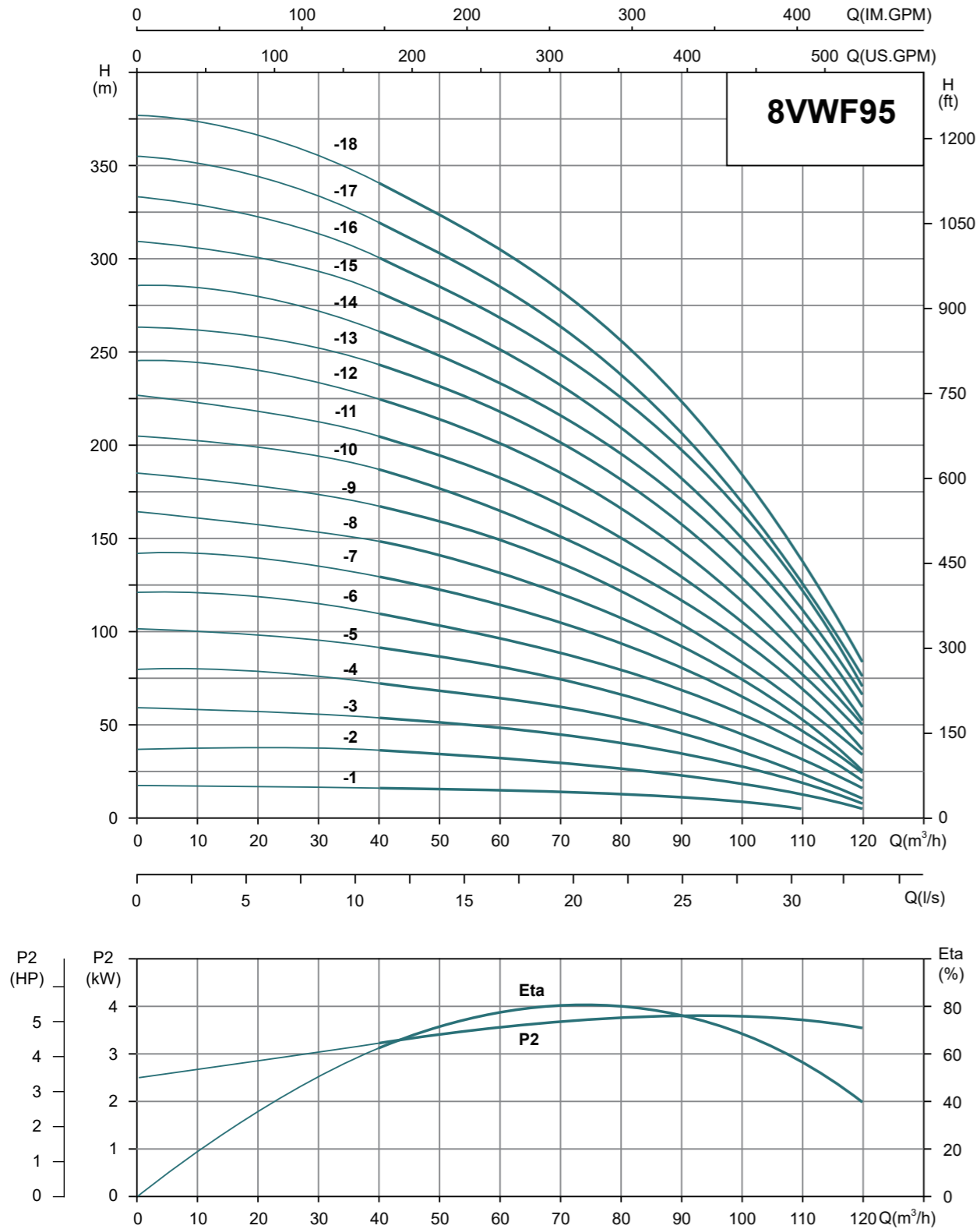
Model	Dimension (mm) (6"/8" Motor)				Weight (kg)
	A	B	C	D	
8VWF75/1-4	927	528	399	144	56
8VWF75/2-7.5	1106	603	503	144	78
8VWF75/3-11	1290	683	607	144	92
8VWF75/4-15	1558	847	711	144	110
8VWF75/5-18.5	1737	922	815	144	122
8VWF75/6-22	1918	999	919	144	141
8VWF75/7-30	2182	1159	1023	144	171
8VWF75/8-30	2286	1159	1127	144	176
8VWF75/9-37	2530	1299	1231	144	204
8VWF75/10-37	2634	1299	1335	144	209
8VWF75/11-45	2669	1220	1449	184	256
8VWF75/12-45	2773	1220	1553	184	261
8VWF75/13-55	3047	1390	1657	184	279
8VWF75/14-55	3151	1390	1761	184	285
8VWF75/15-55	3255	1390	1865	184	290
8VWF75/16-63	3334	1365	1969	192	309
8VWF75/17-63	3438	1365	2073	192	315
8VWF75/18-75	3592	1415	2177	192	341
8VWF75/19-75	3696	1415	2281	192	346
8VWF75/20-75	3800	1415	2385	192	351



### Specification

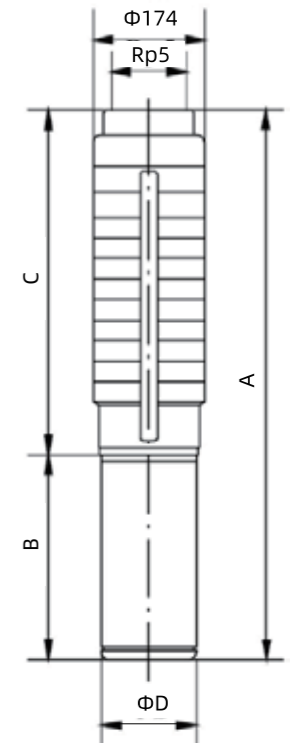
Model	Power (kW)	Outlet	Flow Q(m³/h)	30	40	50	60	70	75	80	90	100
8VWF75/1-4	4	5"	H (m)	18	17	15.5	14.5	13	12	11	9	5.5
8VWF75/2-7.5	7.5			36.5	34.5	32	30	27	25	23	19	12.5
8VWF75/3-11	11			54.5	52.5	49	45	41	38	35.5	29	21.5
8VWF75/4-15	15			73.5	71	66.5	61	55.5	52	48	40	30
8VWF75/5-18.5	18.5			92	89	83	76	70	65	60.5	51	38
8VWF75/6-22	22			111	107	100	91	84	79	73	62	47
8VWF75/7-30	30			130	125	118	107	98	93	87	73	56
8VWF75/8-30	30			148	143	135	124	113	107	101	85	65
8VWF75/9-37	37			167	161	152	140	128	121	114	96	74
8VWF75/10-37	37			185	178	169	157	143	135	127	107	83
8VWF75/11-45	45			203	196	185	172	158	148	139	118	92
8VWF75/12-45	45			222	214	202	188	172	162	152	129	100
8VWF75/13-55	55			241	232	220	204	186	175	164	139	108
8VWF75/14-55	55			262	251	238	220	200	188	176	149	116
8VWF75/15-55	55			283	271	256	236	214	201	188	159	124
8VWF75/16-63	63			303	291	274	253	229	215	202	169	133
8VWF75/17-63	63			323	310	292	270	245	229	215	179	142
8VWF75/18-75	75			342	329	309	286	259	243	228	190	150
8VWF75/19-75	75			361	347	327	302	274	257	241	201	158
8VWF75/20-75	75			381	366	345	318	288	271	254	212	167

### Performance Curve



### Size and Weight

Model	Dimension (mm) (6"/8" Motor)				Weight (kg)
	A	B	C	D	
8VWF95/1-4	927	528	399	144	57
8VWF95/2-9.2	1156	653	503	144	83
8VWF95/3-13	1404	797	607	144	100
8VWF95/4-18.5	1633	922	711	144	119
8VWF95/5-22	1814	999	815	144	138
8VWF95/6-25	2008	1089	919	144	155
8VWF95/7-30	2182	1159	1023	144	174
8VWF95/8-37	2426	1299	1127	144	202
8VWF95/9-37	2530	1299	1231	144	208
8VWF95/10-45	2565	1220	1345	184	254
8VWF95/11-45	2669	1220	1449	184	260
8VWF95/12-55	2943	1390	1553	184	279
8VWF95/13-55	3047	1390	1657	184	284
8VWF95/14-55	3151	1390	1761	184	290
8VWF95/15-63	3230	1365	1865	192	310
8VWF95/16-63	3334	1365	1969	192	316
8VWF95/17-75	3488	1415	2073	192	342
8VWF95/18-75	3592	1415	2177	192	348

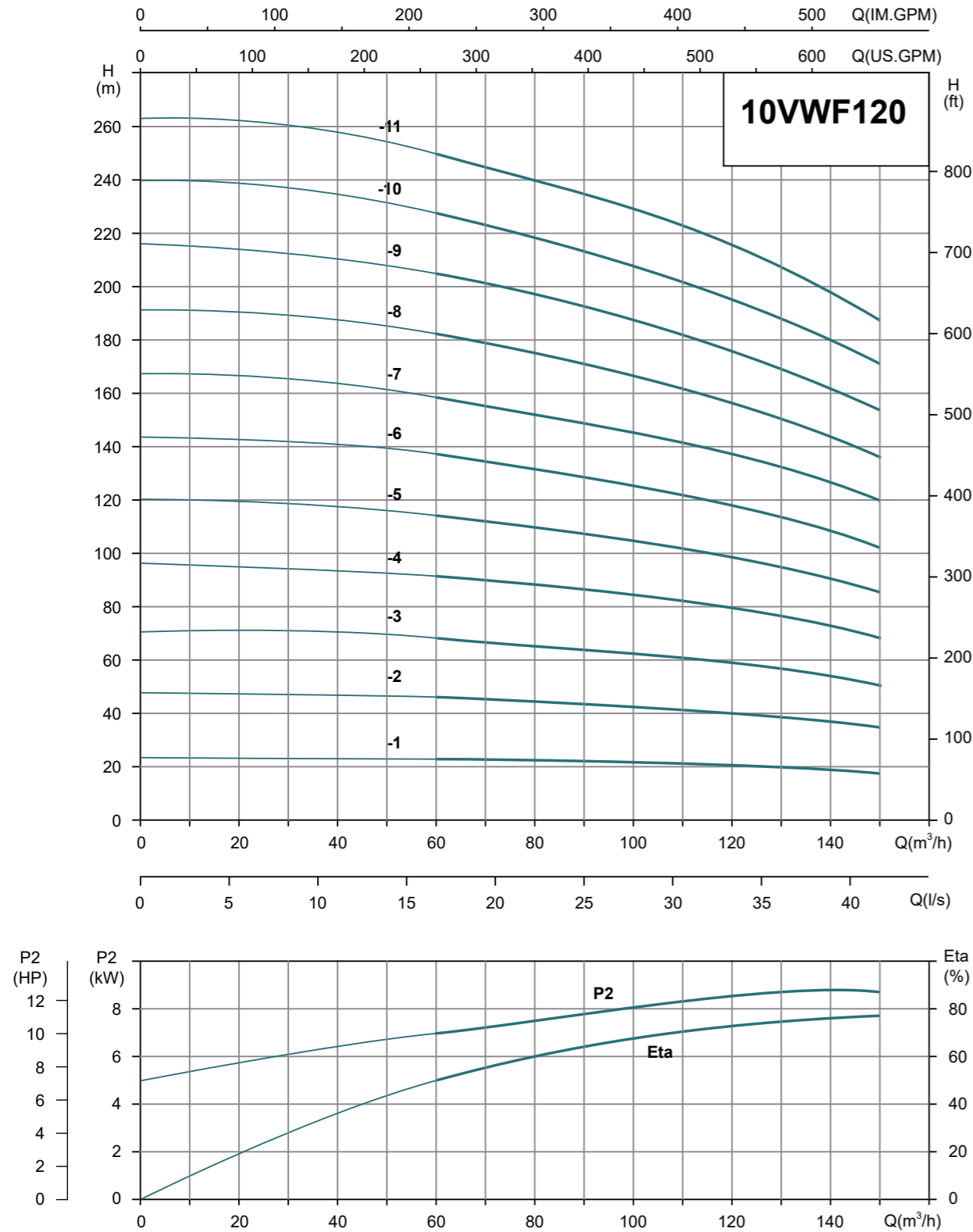


### Specification

Model	Power (kW)	Outlet	Flow $Q(m^3/h)$	40	50	60	70	80	90	95	100	110	120
8VWF95/1-4	4	5"	H (m)	17.5	16.5	15.5	14	12.5	10.5	9.5	8	5	-
8VWF95/2-9.2	9.2			36	34	32	28.5	26	21.5	20	17	12	3.5
8VWF95/3-13	13			54	52	48.5	44.5	40	33	30	26	19	6
8VWF95/4-18.5	18.5			72	70	65	60	54	45	41	36	25.5	10.5
8VWF95/5-22	22			91	87	81.5	75	68	57	51.5	46	32	14.5
8VWF95/6-25	25			110	104	98	90	81	69	62	55	38	18
8VWF95/7-30	30			129	122	115	105	94	81	73	65	45	22
8VWF95/8-37	37			148	141	131	120	108	93	84	75	52	26
8VWF95/9-37	37			167	159	148	135	122	105	95	85	59	31
8VWF95/10-45	45			186	177	165	151	136	117	106	95	67	36
8VWF95/11-45	45			205	195	182	167	150	130	117	105	75	42
8VWF95/12-55	55			224	213	199	183	165	143	129	116	84	48
8VWF95/13-55	55			243	231	216	199	180	156	141	127	93	53
8VWF95/14-55	55			262	249	233	215	195	169	153	138	102	59
8VWF95/15-63	63			281	268	250	231	210	183	166	149	111	64
8VWF95/16-63	63			301	286	267	247	225	197	178	160	119	70
8VWF95/17-75	75			321	304	284	263	240	210	190	171	127	75
8VWF95/18-75	75			342	323	302	279	255	222	202	182	135	81

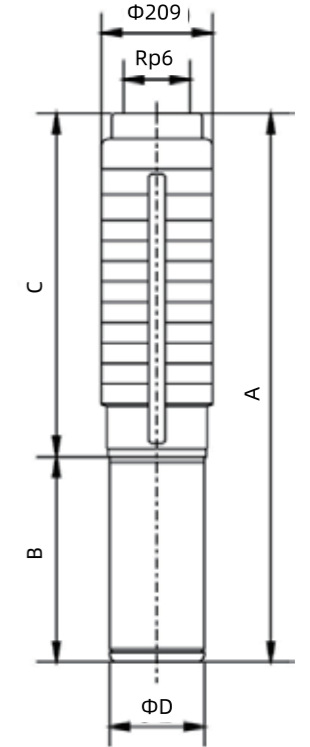


### Performance Curve



### Size and Weight

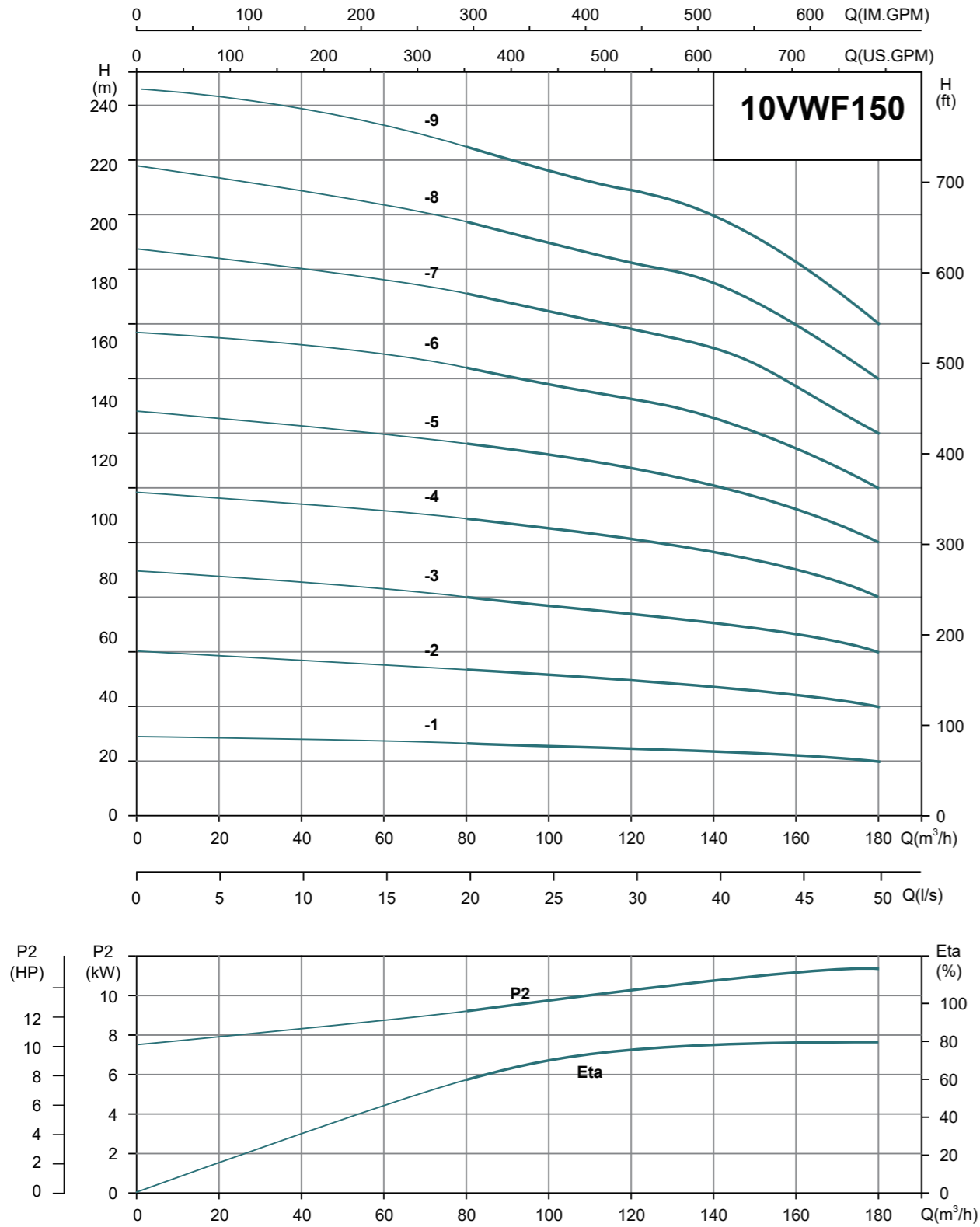
Model	Dimension (mm) (6"/8"/10" Motor)				Weight (kg)
	A	B	C	D	
10VWF120/1-11	1294	683	611	144	96
10VWF120/2-22	1766	999	767	144	127
10VWF120/3-30	2082	1159	923	144	148
10VWF120/4-37	2378	1299	1079	144	166
10VWF120/5-55	2625	1390	1235	184	253
10VWF120/6-63	2723	1332	1391	236	341
10VWF120/7-75	2969	1422	1547	236	387
10VWF120/8-75	3125	1422	1703	236	395
10VWF120/9-90	3391	1532	1859	236	416
10VWF120/10-110	3807	1792	2015	236	461
10VWF120/11-110	3963	1792	2171	236	469



### Specification

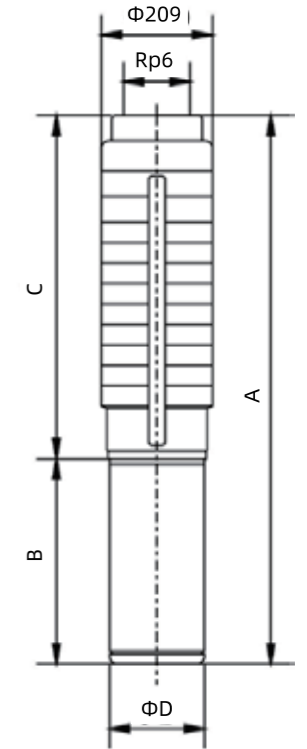
Model	Power (kW)	Outlet	Flow Q(m³/h)	60	70	80	90	100	110	120	130	140	150
10VWF120/1-11	11	6"	H (m)	22.5	22	21.5	21	20.5	20	19	18.5	17.5	16.5
10VWF120/2-22	22			45.5	44.5	43.5	42.5	41.5	40.5	39	38	36	34
10VWF120/3-30	30			68	67	65.5	64	62	61	59	57	54	51
10VWF120/4-37	37			90.5	89.5	87.5	85.5	83	81.5	78.5	76	72	68
10VWF120/5-55	55			113.5	112	109.5	106.5	103.5	101.5	98.5	95	90	85
10VWF120/6-63	63			136	134.5	131	127.5	124.5	121.5	118	114	108	102
10VWF120/7-75	75			159	156.5	153	149	145	142	138	133	126	119.5
10VWF120/8-75	75			181.5	179.5	175	170.5	166	163	157.5	152.5	144	136.5
10VWF120/9-90	90			204	201.5	198	191.5	186.5	182.5	177.5	171.5	162	153.5
10VWF120/10-110	110			227	223.5	219	213	207.5	202.5	197	190.5	180	170.5
10VWF120/11-110	110			250	245.5	241	234.5	228	222.5	216.5	209.5	198.5	187.5

### Performance Curve



### Size and Weight

Model	Dimension (mm) (6"/8"/10" Motor)				Weight (kg)
	A	B	C	D	
10VWF150/1-13	1408	797	611	144	100
10VWF150/2-25	1687	920	767	184	166
10VWF150/3-37	2033	1110	923	184	202
10VWF150/4-55	2469	1390	1079	184	245
10VWF150/5-63	2567	1332	1235	236	333
10VWF150/6-75	2813	1422	1391	236	379
10VWF150/7-90	3079	1532	1547	236	400
10VWF150/8-110	3495	1792	1703	236	426
10VWF150/9-110	3651	1792	1859	236	435



### Specification

Model	Power (kW)	Outlet	Flow Q (m³/h)	80	90	100	110	120	130	140	150	160	170	180
10VWF150/1-13	13	6"	H (m)	24	23.5	23	22.5	22	21.5	21	20	19.5	19	18
10VWF150/2-25	25			48.5	47.5	46	45	44.5	44	42.5	41	39.5	38	36
10VWF150/3-37	37			74.5	72.5	70.5	69.5	68	67.5	65.5	63.5	60	57.5	54.5
10VWF150/4-55	55			100.5	98	96	94.5	93	92.5	89.5	86.5	80.5	77.5	73
10VWF150/5-63	63			126	122.5	120	118	116	115	112.5	108.5	101.5	97	91.5
10VWF150/6-75	75			151.5	147	144	141.5	139.5	138	135	130	122	116.5	110
10VWF150/7-90	90			177	171.5	168.5	165.5	163.5	162.5	157.5	152.5	143	136.5	128
10VWF150/8-110	110			202.5	196	193	189.5	187	186	180	175	164	156	146.5
10VWF150/9-110	110			228	220.5	217.5	213	210	209	203	197	185.5	175.5	165